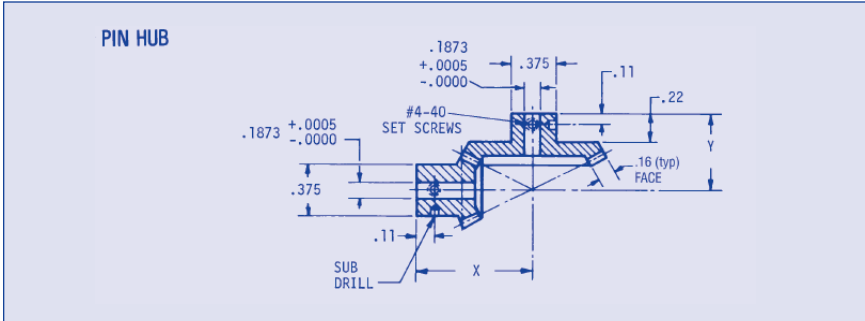


MITER AND BEVEL GEARS

**64 PITCH
.16 FACE
.1873 BORE**

20° PRESSURE ANGLE, AGMA Quality 10*, MATCHED PAIRS



Material: 303 Stainless Steel
2024-T4 Aluminum – Anodized before cutting.

ORDER BY CATALOG NUMBER

The first letter in the material column represents the material of the smallest gear.

Material	Catalog Number	Pitch Diameter	X	Y	Number of Teeth	Ratio
Steel/Alum. Steel/Steel Alum./Alum.	LHX-F2-32 LHS-F2-32 LHA-F2-32	.500 / .500	.562	.562	32 / 32	1:1
Steel/Alum. Steel/Steel Alum./Alum.	LHX-F2-48 LHS-F2-48 LHA-F2-48	.500 / .750	.656	.562	32 / 48	1:1-1/2
Steel/Alum. Steel/Steel Alum./Alum.	LHX-F2-64 LHS-F2-64 LHA-F2-64	.500 / 1.000	.750	.562	32 / 64	1:2
Steel/Alum. Steel/Steel Alum./Alum.	LHX-F2-96 LHS-F2-96 LHA-F2-96	.500 / 1.500	1.000	.562	32 / 96	1:3
Steel/Alum. Steel/Steel Alum./Alum.	LHX-F2-128 LHS-F2-128 LHA-F2-128	.500 / 2.000	1.250	.562	32 / 128	1:4

* To order AGMA Quality 12, (Q12) gears please inquire for price per set and add Q12 to the Catalog Number.
For special bores, alternate materials and other ratios – price on application.

BROKEN SETS

ORDER BY CATALOG NUMBER

Individual miter and bevel gears from above matched sets can be ordered separately by the following catalog numbers. NOTE: It is important to specify which set the single gear is to fit.

Example:
LHS-F2-32S,
from set LHX-F2-96

Number of Teeth	STAINLESS STEEL	ALUMINUM
	Catalog Number	Catalog Number
32	LHS-F2-32S	LHA-F2-32S
48	LHS-F2-48S	LHA-F2-48S
64	LHS-F2-64S	LHA-F2-64S
96	LHS-F2-96S	LHA-F2-96S
128	LHS-F2-128S	LHA-F2-128S