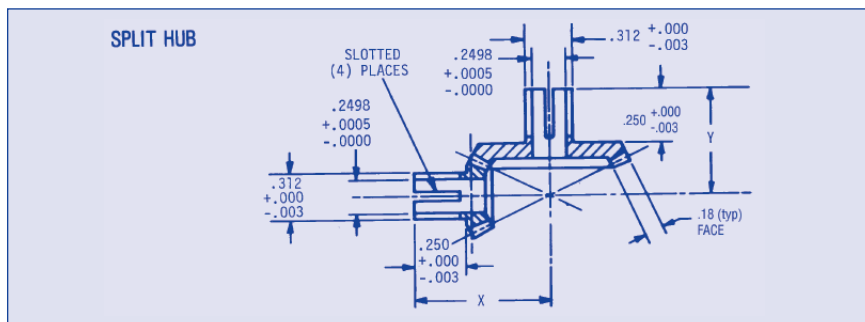


MITER AND BEVEL GEARS

**48 PITCH
.18 FACE
.2498 BORE**

20° PRESSURE ANGLE, AGMA Quality 10*, MATCHED PAIRS



Material: 303 Stainless Steel
2024-T4 Aluminum – Anodized before cutting.

ORDER BY CATALOG NUMBER

The first letter in the material column represents the material of the smallest gear.

Material	Catalog Number	Pitch Diameter	X	Y	Number of Teeth	Ratio
Steel/Alum. Steel/Steel Alum./Alum.	LHX-E5-30 LHS-E5-30 LHA-E5-30	.625/.625	.687	.687	30/30	1:1
Steel/Alum. Steel/Steel Alum./Alum.	LHX-E5-45 LHS-E5-45 LHA-E5-45	.625/.937	.812	.687	30/45	1:1-1/2
Steel/Alum. Steel/Steel Alum./Alum.	LHX-E5-60 LHS-E5-60 LHA-E5-60	.625/1.250	.937	.687	30/60	1:2
Steel/Alum. Steel/Steel Alum./Alum.	LHX-E5-90 LHS-E5-90 LHA-E5-90	.625/1.875	1.250	.687	30/90	1:3

* To order AGMA Quality 12, (Q12) gears please inquire for price per set and add Q12 to the Catalog Number.

** For special bores, alternate materials and other ratios – price on application. Clamps are not included and must be ordered separately – see section B.

BROKEN SETS

Individual miter and bevel gears from above matched sets can be ordered separately by the following catalog numbers. NOTE: It is important to specify which set the single gear is to fit.

Example:
LHS-E5-30S,
from set LHX-E5-90

ORDER BY CATALOG NUMBER

Number of Teeth	STAINLESS STEEL	ALUMINUM
	Catalog Number	Catalog Number
30	LHS-E5-30S	LHA-E5-30S
45	LHS-E5-45S	LHA-E5-45S
60	LHS-E5-60S	LHA-E5-60S
90	LHS-E5-90S	LHA-E5-90S
120	LHS-E5-120S	LHA-E5-120S