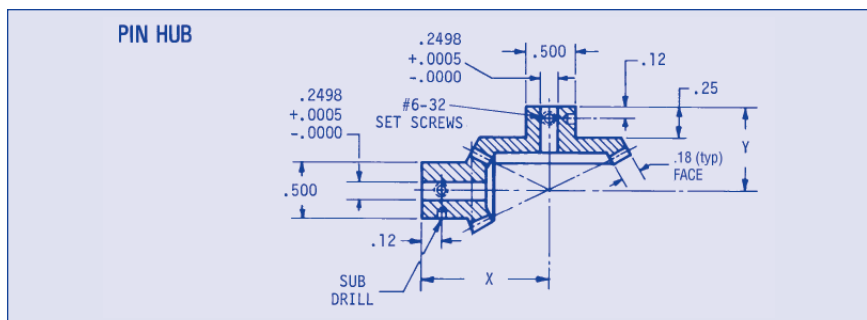


MITER AND BEVEL GEARS

**48 PITCH
.18 FACE
.2498 BORE**

20° PRESSURE ANGLE, AGMA Quality 10*, MATCHED PAIRS



Material: 303 Stainless Steel

2024-T4 Aluminum – Anodized before gear cutting.

The first letter in the material column represents the material of the smallest gear.

ORDER BY CATALOG NUMBER

Material	Catalog Number	Pitch Diameter	X	Y	Number of Teeth	Ratio
Steel/Alum. Steel/Steel Alum./Alum.	LHX-E3-30 LHS-E3-30 LHA-E3-30	.625 / .625	.687	.687	30 / 30	1:1
Steel/Alum. Steel/Steel Alum./Alum.	LHX-E3-45 LHS-E3-45 LHA-E3-45	.625 / .937	.812	.687	30 / 45	1:1-1 / 2
Steel/Alum. Steel/Steel Alum./Alum.	LHX-E3-60 LHS-E3-60 LHA-E3-60	.625 / 1.250	.937	.687	30 / 60	1:2
Steel/Alum. Steel/Steel Alum./Alum.	LHX-E3-90 LHS-E3-90 LHA-E3-90	.625 / 1.875	1.250	.687	30 / 90	1:3
Steel/Alum. Steel/Steel Alum./Alum.	LHX-E3-120 LHS-E3-120 LHA-E3-120	.625 / 2.500	1.531	.687	30 / 120	1:4

*To order Quality 12 (Q12) gears please inquire for price per set and add Q12 to the Catalog Number.

For special bores, alternate materials and other ratios – price on application.

BROKEN SETS

Individual miter and bevel gears from above matched sets can be ordered separately by the following catalog numbers. NOTE: It is important to specify which set the single gear is to fit.

Example:

LHS-E3-30S,
from set LHX-E3-90

Number of Teeth	STAINLESS STEEL	ALUMINUM
	Catalog Number	Catalog Number
30	LHS-E3-30S	LHA-E3-30S
45	LHS-E3-45S	LHA-E3-45S
60	LHS-E3-60S	LHA-E3-60S
90	LHS-E3-90S	LHA-E3-90S
120	LHS-E3-120S	LHA-E3-120S