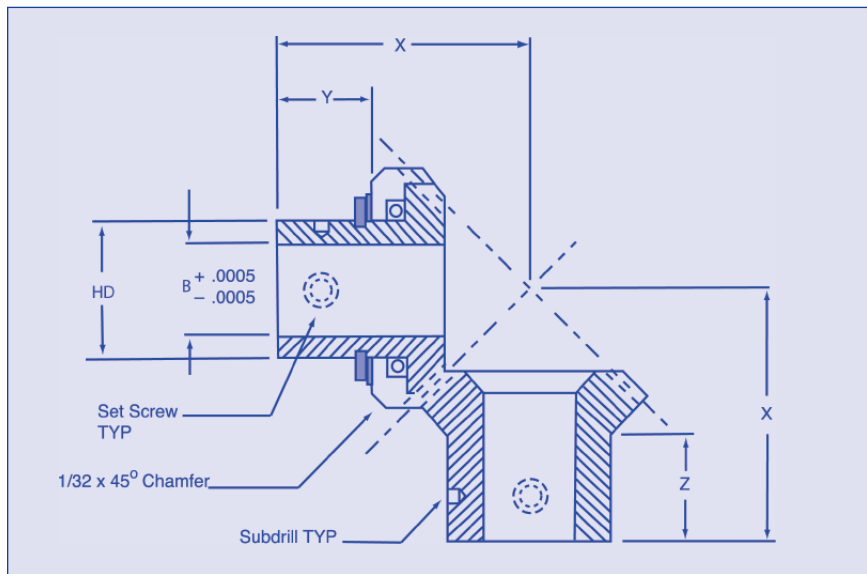


ANTI-BACKLASH MITER GEARS

48 TO 72
PITCH

20° PRESSURE ANGLE, AGMA Quality 10,
MATCHED SETS



Material: Anti-backlash gear - 303 Stainless Steel
Mating gear - 303 Stainless Steel or Aluminum 2040-T4 – anodized before gear cutting

ORDER BY CATALOG NUMBER

Catalog Number	Pitch	Material	Number of teeth	Pitch Diameter	B	HD	X	Y	Z
LHX-E2-30	48	S/A	30 / 30	.625 / .625	.2498	3/8	.687	.257	.312
LHS-E2-30	48	S/S	30 / 30	.625 / .625	.2498	3/8	.687	.257	.312
LHX-E2-32	64	S/A	32 / 32	.500 / .500	.1873	17/64	.562	.212	.250
LHS-E2-32	64	S/S	32 / 32	.500 / .500	.1873	17/64	.562	.212	.250
LHX-E2-36	72	S/A	36 / 36	.500 / .500	.1248	1/4	.531	.185	.187
LHS-E2-36	72	S/S	36 / 36	.500 / .500	.1248	1/4	.531	.185	.187